



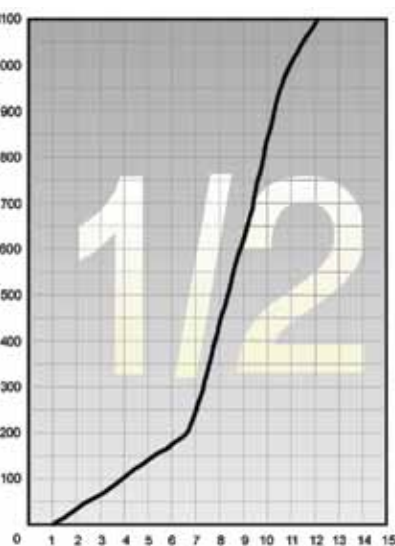
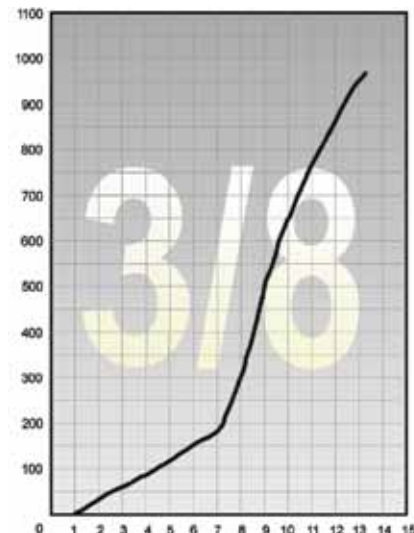
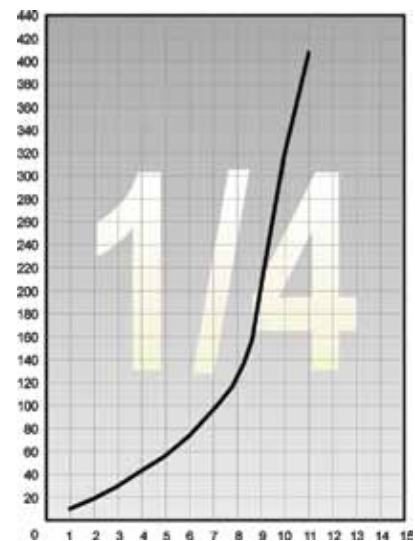
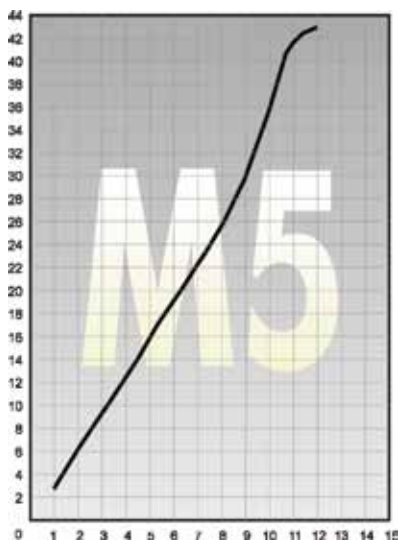
Střihové a diferenciální regulátory průtoku

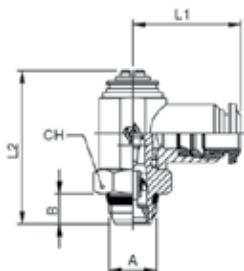
Technické údaje

| | |
|---------------|--|
| Materiál | Poniklovaná mosaz |
| Těsnění | Nitrile (NBR 70) |
| Rozsah tlaků | 1-10 bar |
| Médium | Neutrální plyn |
| Rozsah teplot | -20 °C to +80 °C |
| Těsnění | Model 50 PA66/NBR 70 Model 55... NBR 70 |

Průtoková charakteristika střihových a diferenciálních regulátorů průtoku Série 50000 a 55000

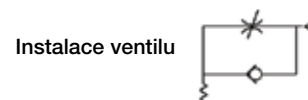
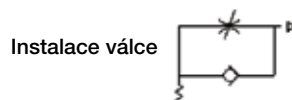
Průtok při P = 7 bar (absolutně) a $\Delta P = 1$ bar
(Neplatí pro typy 8850-8860)



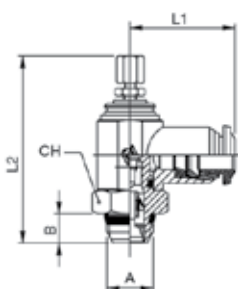


50901, 50910

Diferenciální regulátor průtoku s nastavováním zapuštěným šroubem a s Swift Fit závitem

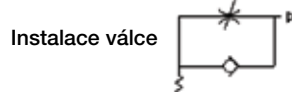


| Objednací číslo Instalace válce | Objednací číslo Instalace ventilu | Hadička | A | B | L1 | L2 | CH | Balení |
|------------------------------------|--------------------------------------|---------|-----|-----|------|------|----|--------|
| 50901 3-M5 | 50910 3-M5 | 3 | M5 | 4.0 | 19.0 | 24.0 | 8 | 25 |
| 50901 4-M5 | 50910 4-M5 | 4 | M5 | 4.0 | 19.0 | 24.0 | 8 | 25 |
| 50901 4-1/8 | 50910 4-1/8 | 4 | 1/8 | 5.5 | 21.0 | 30.5 | 14 | 25 |
| 50901 5-M5 | 50910 5-M5 | 5 | M5 | 4.0 | 20.0 | 24.0 | 8 | 25 |
| 50901 5-1/8 | 50910 5-1/8 | 5 | 1/8 | 5.5 | 21.5 | 30.5 | 14 | 25 |
| 50901 5-1/4 | 50910 5-1/4 | 5 | 1/4 | 7.0 | 24.5 | 35.5 | 17 | 25 |
| 50901 6-M5 | 50910 6-M5 | 6 | M5 | 4.0 | 20.5 | 24.0 | 8 | 25 |
| 50901 6-1/8 | 50910 6-1/8 | 6 | 1/8 | 5.5 | 22.5 | 30.5 | 14 | 25 |
| 50901 6-1/4 | 50910 6-1/4 | 6 | 1/4 | 7.0 | 25.0 | 35.5 | 17 | 25 |
| 50901 8-1/8 | 50910 8-1/8 | 8 | 1/8 | 5.5 | 24.0 | 30.5 | 14 | 25 |
| 50901 8-1/4 | 50910 8-1/4 | 8 | 1/4 | 7.0 | 26.0 | 35.5 | 17 | 25 |
| 50901 8-3/8 | 50910 8-3/8 | 8 | 3/8 | 7.5 | 28.5 | 41.0 | 20 | 25 |
| 50901 10-1/4 | 50910 10-1/4 | 10 | 1/4 | 7.0 | 28.5 | 35.5 | 17 | 25 |
| 50901 10-3/8 | 50910 10-3/8 | 10 | 3/8 | 7.5 | 30.5 | 41.0 | 20 | 25 |
| 50901 12-3/8 | 50910 12-3/8 | 12 | 3/8 | 7.5 | 32.5 | 41.0 | 20 | 25 |
| 50901 12-1/2 | 50910 12-1/2 | 12 | 1/2 | 9.0 | 35.0 | 47.0 | 24 | 25 |
| 50901 14-1/2 | 50910 14-1/2 | 14 | 1/2 | 9.0 | 35.5 | 47.0 | 24 | 25 |



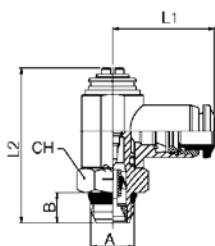
50905, 50915

Diferenciální regulátor průtoku s nastavováním ručně šroubem a s Swift Fit závitem



| Objednací číslo Instalace válce | Objednací číslo Instalace ventilu | Hadička | A | B | L1 | L2 Min./max. | CH | Balení |
|------------------------------------|--------------------------------------|---------|-----|-----|-------|-----------------|----|--------|
| 50905 3-M5 | 50915 3-M5 | 3 | M5 | 4.0 | 19.0 | 33.0/37.5 | 8 | 10 |
| 50905 4-M5 | 50915 4-M5 | 4 | M5 | 4.0 | 19.0 | 33.0/37.5 | 8 | 10 |
| 50905 4-1/8 | 50915/4-1/8 | 4 | 1/8 | 5.5 | 21.0 | 41.0/46.5 | 14 | 10 |
| 50905 5-M5 | 50915 5-M5 | 5 | M5 | 4.0 | 20.0 | 33.0/37.5 | 8 | 10 |
| 50905 5-1/8 | 50915/5-1/8 | 5 | 1/8 | 5.5 | 21.5 | 41.0/46.5 | 14 | 10 |
| 50905 5-1/4 | 50915/5-1/4 | 5 | 1/4 | 7.0 | 24.5 | 46.5/52.5 | 17 | 10 |
| 50905 6-M5 | 50915 6-M5 | 6 | M5 | 4.0 | 20.5 | 33.0/37.5 | 8 | 10 |
| 50905 6-1/8 | 50915/6-1/8 | 6 | 1/8 | 5.5 | 22.5 | 41.0/46.5 | 14 | 10 |
| 50905 6-1/4 | 50915/6-1/4 | 6 | 1/4 | 7.0 | 25.0 | 46.5/52.5 | 17 | 10 |
| 50905 8-1/8 | 50915/8-1/8 | 8 | 1/8 | 5.5 | 24.0 | 41.0/46.5 | 14 | 10 |
| 50905 8-1/4 | 50915/8-1/4 | 8 | 1/4 | 7.0 | 26.0 | 46.5/52.5 | 17 | 10 |
| 50905 8-3/8 | 50915/8-3/8 | 8 | 3/8 | 7.5 | 28.85 | 56.0/63.0 | 20 | 10 |
| 50905 10-1/4 | 50915/10-1/4 | 10 | 1/4 | 7.0 | 28.5 | 46.5/52.5 | 17 | 10 |
| 50905 10-3/8 | 50915/10-3/8 | 10 | 3/8 | 7.5 | 30.5 | 56.0/63.0 | 20 | 10 |
| 50905 12-3/8 | 50915/12-3/8 | 12 | 3/8 | 7.5 | 32.5 | 56.0/63.0 | 20 | 10 |
| 50905 12-1/2 | 50915/12-1/2 | 12 | 1/2 | 9.0 | 35.0 | 61.0/69.0 | 24 | 10 |
| 50905 14-1/2 | 50915/14-1/2 | 14 | 1/2 | 9.0 | 35.5 | 61.0/69.0 | 24 | 10 |

Regulátory průtoku

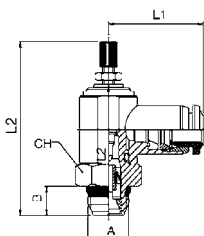


55900, 55910

Diferenciální regulátor průtoku s nastavováním zapaštěným šroubem a s Swift Fit závitem



| Objednací číslo Instalace válce | Objednací číslo Instalace ventilu | Hadička | A | B | L1 | L2 | CH | Balení |
|------------------------------------|--------------------------------------|---------|-----|------|------|------|----|--------|
| 55900 4-M5 | 55910 4-M5 | 4 | M5 | 5.5 | 19.5 | 24.0 | 8 | 25 |
| 55900 4-1/8 | 55910/4-1/8 | 4 | 1/8 | 5.5 | 21.5 | 30.5 | 14 | 25 |
| 55900 5-M5 | 55910 5-M5 | 5 | M5 | 5.5 | 20.5 | 24.0 | 8 | 25 |
| 55900 5-1/8 | 55910/5-1/8 | 5 | 1/8 | 5.5 | 22.5 | 30.5 | 14 | 25 |
| 55900 5-1/4 | 55910/5-1/4 | 5 | 1/4 | 7.0 | 25.0 | 36.0 | 17 | 25 |
| 55900 6-M5 | 55910 6-M5 | 6 | M5 | 5.5 | 21.0 | 24.0 | 8 | 25 |
| 55900 6-1/8 | 55910/6-1/8 | 6 | 1/8 | 5.5 | 23.0 | 30.5 | 14 | 25 |
| 55900 6-1/4 | 55910/6-1/4 | 6 | 1/4 | 7.0 | 25.5 | 36.0 | 17 | 25 |
| 55900 8-1/8 | 55910/8-1/8 | 8 | 1/8 | 5.5 | 23.5 | 30.5 | 14 | 25 |
| 55900 8-1/4 | 55910/8-1/4 | 8 | 1/4 | 7.0 | 26.0 | 36.0 | 17 | 25 |
| 55900 8-3/8 | 55910/8-3/8 | 8 | 3/8 | 8.5 | 27.5 | 44.0 | 20 | 25 |
| 55900 10-3/8 | 55910/10-3/8 | 10 | 3/8 | 8.5 | 30.5 | 44.0 | 20 | 25 |
| 55900 12-3/8 | 55910/12-3/8 | 12 | 1/2 | 8.5 | 32.5 | 44.0 | 20 | 25 |
| 55900 12-1/2 | 55910/12-1/2 | 12 | 1/2 | 10.0 | 35.0 | 49.0 | 24 | 25 |

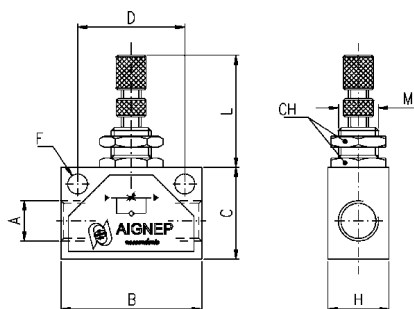


55905, 55915

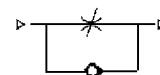
Diferenciální regulátor průtoku s nastavováním ručně šroubem a s Swift Fit závitem



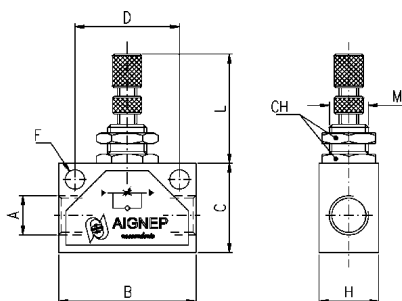
| Objednací číslo Instalace válce | Objednací číslo Instalace ventilu | Hadička | A | B | L1 | L2 min. | L2 max. | CH | Balení |
|------------------------------------|--------------------------------------|---------|-----|------|------|------------|------------|----|--------|
| 55905 4-M5 | 55915 4-M5 | 4 | M5 | 5.5 | 19.5 | - | 37.5 | 8 | 10 |
| 55905 4-1/8 | 55915 4-1/8 | 4 | 1/8 | 5.5 | 21.5 | - | 46.5 | 14 | 10 |
| 55905 5-M5 | 55915 5-M5 | 5 | M5 | 5.5 | 20.5 | 33 | 37.5 | 8 | 10 |
| 55905 5-1/8 | 55915 5-1/8 | 5 | 1/8 | 5.5 | 22.5 | 41 | 46.5 | 14 | 10 |
| 55905 5-1/4 | 55915 5-1/4 | 5 | 1/4 | 7.0 | 25.0 | 47 | 53.0 | 17 | 10 |
| 55905 6-M5 | 55915 6-M5 | 6 | M5 | 5.5 | 21.0 | - | 37.5 | 8 | 10 |
| 55905 6-1/8 | 55915 6-1/8 | 6 | 1/8 | 5.5 | 23.0 | - | 46.5 | 14 | 10 |
| 55905 6-1/4 | 55915 6-1/4 | 6 | 1/4 | 7.0 | 25.5 | - | 53.0 | 17 | 10 |
| 55905 8-1/8 | 55915 8-1/8 | 8 | 1/8 | 5.5 | 23.5 | - | 46.5 | 14 | 10 |
| 55905 8-1/4 | 55915 8-1/4 | 8 | 1/4 | 7.0 | 26.0 | - | 53.0 | 17 | 10 |
| 55905 8-3/8 | 55915 8-3/8 | 8 | 3/8 | 8.5 | 27.5 | 57 | 65.0 | 20 | 10 |
| 55905 10-3/8 | 55915 10-3/8 | 10 | 3/8 | 8.5 | 30.5 | 57 | 65.0 | 20 | 10 |
| 55905 12-3/8 | 55915 12-3/8 | 12 | 3/8 | 8.5 | 32.5 | 55 | 65.0 | 20 | 10 |
| 55905 12-1/2 | 55915 12-1/2 | 12 | 1/2 | 10.0 | 35.0 | 62 | 69.5 | 24 | 10 |



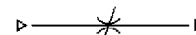
8850 Diferenciální regulátor průtoku



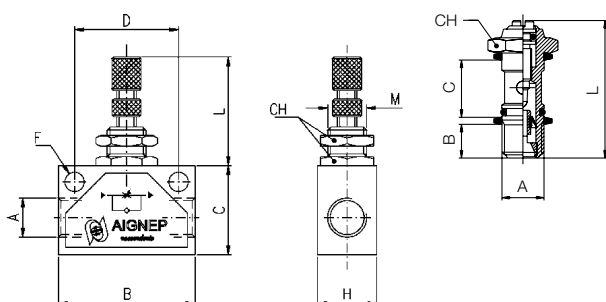
| Objednáací číslo | A | B | C | H | D | F | L | M | CH | Balení |
|------------------|-----|----|----|----|------|-----|-------|----------|----|--------|
| 8850 M5 | M5 | 26 | 16 | 12 | 18.0 | 4.5 | 34-39 | M10x0.75 | 12 | 25 |
| 8850 1/8 | 1/8 | 35 | 22 | 20 | 24.7 | 4.5 | 48-56 | M12x0.75 | 15 | 25 |
| 8850 1/4 | 1/4 | 46 | 30 | 20 | 35.0 | 6.5 | 56-64 | M12x0.75 | 15 | 25 |
| 8850 3/8 | 3/8 | 50 | 30 | 25 | 35.0 | 6.5 | 68-73 | M18x1 | 22 | 10 |
| 8850 1/2 | 1/2 | 60 | 40 | 25 | 44.0 | 6.5 | 76-83 | M18x1 | 22 | 10 |



8860 Škrťací ventil

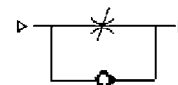


| Objednáací číslo | A | B | C | H | D | F | L | M | CH | Balení |
|------------------|-----|----|----|----|------|-----|-------|----------|----|--------|
| 8860 M5 | M5 | 26 | 16 | 12 | 18.0 | 4.5 | 34-39 | M10x0.75 | 12 | 25 |
| 8860 1/8 | 1/8 | 35 | 22 | 20 | 24.7 | 4.5 | 48-56 | M12x0.75 | 15 | 25 |
| 8860 1/4 | 1/4 | 46 | 30 | 20 | 35.0 | 6.5 | 56-64 | M12x0.75 | 15 | 25 |
| 8860 3/8 | 3/8 | 50 | 30 | 25 | 35.0 | 6.5 | 68-73 | M18x1 | 22 | 10 |
| 8860 1/2 | 1/2 | 60 | 40 | 25 | 44.0 | 6.5 | 76-83 | M18x1 | 22 | 10 |

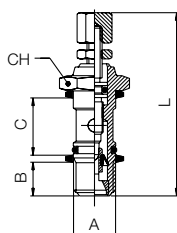


8900, 8910

Diferenciální regulátor průtoku pro přichytku se zapuštěným šroubem

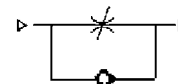


| Objednáací číslo | Objednáací číslo | A | B | C | L | CH | Pack |
|------------------|-------------------|-----|------|------|------|----|------|
| Instalace válce | Instalace ventilu | | | | | | |
| 8900 M5 | 8910 M5 | M5 | 4.0 | 12.5 | 24.0 | 8 | 10 |
| 8900 1/8 | 8910 1/8 | 1/8 | 5.5 | 15.0 | 30.5 | 14 | 10 |
| 8900 1/4 | 8910 1/4 | 1/4 | 8.5 | 17.0 | 35.5 | 17 | 10 |
| 8900 3/8 | 8910 3/8 | 3/8 | 9.0 | 20.0 | 41.0 | 20 | 10 |
| 8900 1/2 | 8910 1/2 | 1/2 | 10.0 | 24.0 | 47.0 | 24 | 10 |



8905, 8915

Diferenciální regulátor průtoku pro přichytku s nastavováním ručně šroubem



| Objednáací číslo | Objednáací číslo. | A | B | C | L min. | I max. | CH | Balení |
|------------------|-------------------|-----|------|------|--------|--------|----|--------|
| Instalace válce | Instalace ventilu | | | | | | | |
| 8905 M5 | 8915 M5 | M5 | 4.0 | 12.5 | 33.0 | 37.5 | 8 | 10 |
| 8905 1/8 | 8915 1/8 | 1/8 | 5.5 | 15.0 | 41.0 | 46.5 | 14 | 10 |
| 8905 1/4 | 8915 1/4 | 1/4 | 8.5 | 17.0 | 45.5 | 52.5 | 17 | 10 |
| 8905 3/8 | 8915 3/8 | 3/8 | 9.0 | 20.0 | 56.5 | 63.5 | 20 | 10 |
| 8905 1/2 | 8915 1/2 | 1/2 | 10.0 | 24.0 | 62.0 | 62.0 | 24 | 10 |